



**Warranty:**

Applicable to units installed and used in the United Kingdom. Airflow's Warranty covers the QuietAir fan for TWO years. The Warranty can be upgraded to THREE years from date of purchase against faulty material or workmanship by registering on our web site at [www.airflow.com](http://www.airflow.com). The Warranty covers the product only and not the installation cost..

In the event of any defective parts being found, Airflow Developments Ltd reserve the right to repair or at our discretion replace without charge provided that the unit

1. Has been installed and used in accordance with the fitting and wiring instructions supplied with each unit
2. Has not been connected to an unsuitable electrical supply
3. Has not been subjected to issue, neglect or damage.
4. Has not been modified or repaired by any person not authorised by Airflow Developments Ltd.
5. Has been installed in accordance with latest Building Regulations and IEE wiring regulations.

Airflow Developments shall not be liable for any loss, injury or other consequential damage, in the event of a failure of the equipment or arising from, or in connection with, the equipment excepting only that nothing in this condition shall be construed as to exclude or restrict liability for negligence.

This warranty does not in any way affect any statutory or other consumer rights.



**SPECIALISTS IN AIR MOVEMENT TECHNOLOGY**

**Airflow Developments Limited**  
Lancaster Road, Cressex Business Park  
High Wycombe, Buckinghamshire  
HP12 3QP, United Kingdom

E-mail: [info@airflow.co.uk](mailto:info@airflow.co.uk)

Telephone: +44 (0) 1494 525252

Facsimile: +44 (0) 1494 461073

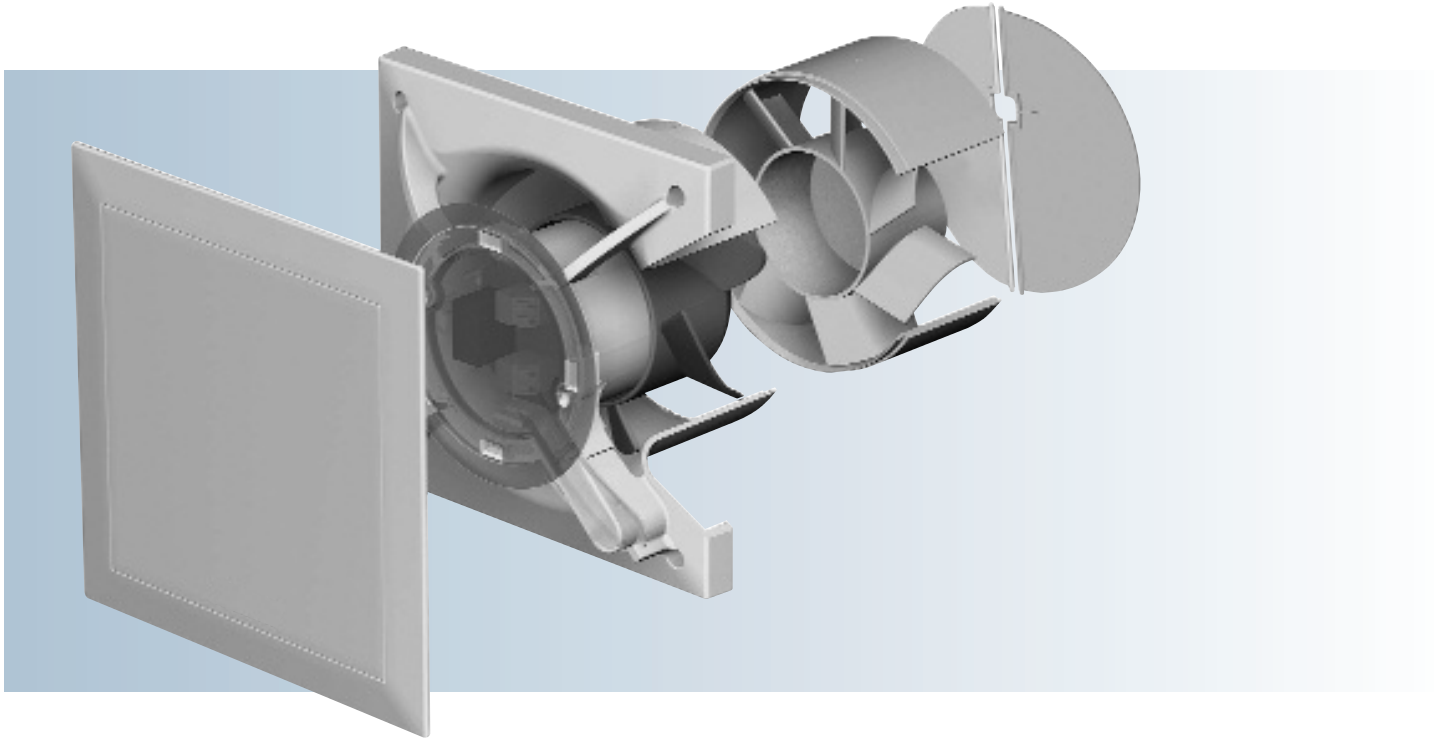
[airflow.com](http://airflow.com)





SPECIALISTS IN AIR MOVEMENT TECHNOLOGY

## Installation and Operating Instructions QuietAir 100mm Axial Fan



MODEL:QT 100B - Two Speed Fan (75/90m<sup>3</sup>/hr)



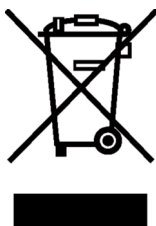
- Low Energy
- Whisper Quiet
- Long Life
- Extra Safe

IP45    

**AIRFLOW**  
**eco**  **air**  
RANGE

## Contents

<b>CHAPTER 1. GENERAL INFORMATION</b> .....	<b>Page 1</b>
1.0 Important information .....	Page 1
1.1 Warning and safety instructions .....	Page 1
1.2 Warranty – Exclusion of liability .....	Page 1
1.3 Certificates .....	Page 1
1.4 Receipt .....	Page 1
1.5 Storage .....	Page 1
1.6 Application/Operation .....	Page 1
1.7 Performance .....	Page 1
1.8 General information .....	Page 1
1.9 Safety .....	Page 1
1.10 Electrical connection .....	Page 2
1.11 Overview of type .....	Page 2
1.12 Accessories .....	Page 2
<b>CHAPTER 2. SCOPE OF DELIVERY AND ASSEMBLY</b> .....	<b>Page 2</b>
2.0 Scope of delivery / packing unit .....	Page 2
<b>CHAPTER 3. INSTALLATION</b> .....	<b>Page 2</b>
3.0 Preparation for wall or ceiling installation (surface mounted) .....	Page 2
3.1 Cable exit from the wall .....	Page 2
3.2 Drill holes .....	Page 2
3.3 Wall or ceiling installation .....	Page 3
3.4 Cable connection .....	Page 3
<b>CHAPTER 4. ELECTRICAL CONNECTION</b> .....	<b>Page 4</b>
4.0 Electrical connection .....	Page 4
4.1 Electronic control board .....	Page 4
<b>CHAPTER 5. CLEANING AND MAINTENANCE</b> .....	<b>Page 4</b>
5.0 Cleaning and maintenance .....	Page 4
5.1 Dismantling of the fascia .....	Page 4
<b>CHAPTER 6. FAULT DIAGNOSTICS</b> .....	<b>Page 4</b>
6.0 Troubleshooting .....	Page 4
Wiring diagram .....	Page 5



### Correct Disposal of This Product (Waste Electrical & Electronic Equipment)

(Applicable in the European Union and other European countries with separate collection systems)

This marking shown on the product or its Operation and Installation Instruction, indicates that it should not be disposed with other household wastes at the end of its working life. To prevent possible harm to the environment or human health from uncontrolled waste disposal, please separate this from other types of wastes and recycle it responsibly to promote the sustainable reuse of material resources.

Household users should contact either the retailer where they purchased this product, or their local government office, for details of where and how they can take this item for environmentally safe recycling.

Business users should contact their supplier and check the terms and conditions of the purchase contract.

This product should not be mixed with other commercial wastes for disposal.

**CHAPTER 1****INSTALLATION AND OPERATING INSTRUCTIONS****WARNING****1.0 Important information**

To ensure safety and correct operation please read and observe the following instructions carefully before proceeding. The electrical connection must be fully isolated from the supply up to the final assembly ! Keep the installation and operating instructions as a reference at the device. After the final assembly the document must be handed out to the operator (tenant/owner).

**1.1 Warning and safety instructions**

**Accompanying symbol is a safety-relevant prominent warning label. All safety regulations and/or symbols must be absolutely adhered to, so that any danger situation is avoided.**

**1.2 Warranty – Exclusion of liability**

If the preceding instructions are not observed all warranty claims and accommodation treatment are excluded. This also applies to any liability claims extended to the manufacturer. The use of accessories not offered or recommended is not permitted. Potential damages are not liable for warranty.

**1.3 Certificates**

If the product is installed correctly and used to its intended purpose, it conforms to all applicable European Standards at its date of manufacture.

**1.4 Receipt**

Please check delivery immediately on receipt for accuracy and damage. If damaged, please notify carrier immediately. In case of delayed notification, any possible claim may be void.

**1.5 Storage**

When storing for a prolonged time the following steps are to be taken to avoid damaging influences: Protection of motor by dry, air- dustproof packing (plastic bags with drying agent and moisture indicators). The storage place must be water proof, vibration-free and free of temperature variations.

When storing for several years or non rotation of motor an inspection of the bearings with possible relubrication and an electrical inspection to VDE 0701 and VDE 0530 are absolutely necessary before starting operation. When transshipping (especially over longer distances) check if the packing is adequate for method and manner of transportation. Damages due to improper transportation, storage or putting into operation are not liable for warranty.

**1.6 Application/Operation**

The fan is designed for air extraction of living spaces. If the unit is to be used in other applications where high humidity, excessive dust, temperature in excess of 40 °C or long periods at standstill (not running), please contact your local dealer for advice. This also applies for special technical and electrical applications. The complete fan corresponds to protection IP 45 (jet water-protected) , protection class II and is suitable for use in zone 1 of bathrooms.

**NOTE**

**The fan may only be used for its intended purpose !**

**1.7 Performance**

The unit must be installed correctly to achieve the optimum performance. This applies to the installation of the unit, the ducting and the replacement air supply.

If installing in a room where the fan can affect a fuel burning device (e.g. a gas boiler) which has a balanced flue, it is the installer's responsibility to ensure that there is sufficient replacement air to prevent fumes being drawn down the flue when the fan is operating at maximum extract rate.

The catalogue noise levels stated are A-rated sound power levels LWA (to DIN 45635 T.1). The A-rated sound pressure level LPA depends on the acoustic condition in the room in which it is installed. These affect considerably the adjusting noise.

**1.8 General information**

Intake air duct: Every room which must be ventilated must have an intake air opening to prevent negative pressure conditions.

**NOTE****1.9 Safety**

- All servicing and installations may only be carried out by a certified electrician.
- The fans may be operated only with the rated voltage indicated on the type plate.
- Technical data on type plate are to be adhered to without fail.
- The degree of protection given on the type plate is only valid with designed installation in accordance with these installation and operating instructions and with closed fascia.

**WARNING**

**1.10 Electrical connection**

All work must be carried out with the equipment fully isolated from the power supply. The electrical connection are to be carried out in accordance with the relevant wiring diagram and are only to be done by a certified electrician. The electrical connection must be fully isolated from the supply up to the final assembly !

All relevant safety regulation, national standards and norms are to be adhered to. An appliance is required for cut off from the supply with a minimum of 3 mm contact opening of each pole.

The rated voltage and frequency must correspond with the data on the type plate. The insertion of mains supply cable is carried out via a cable grommet which is included in the delivery. Never lead cable over sharp edges. The equipment corresponds to protection IPX5 (jet water-protected).

In addition, they correspond to the safety class II.

**1.11 Overview of type.**

QuietAir 100B Standard model equipped with 2 speeds

**1.12 Accessories (optional)**

Wall switch 0-1-2

Cavity wall kit 100mm diameter. Rigid duct with exterior wall grille (white)

Flexible duct kit 100mm diameter x3m long, with exterior wall grille (white)

Ref.no. 71523101

Ref.no. 72643202

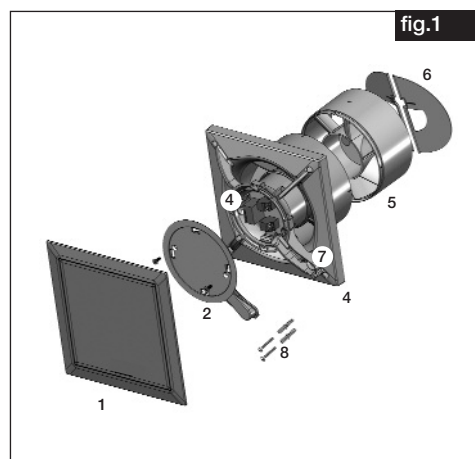
Ref.no. 72643602

**CHAPTER 2**

**SCOPE OF DELIVERY AND ASSEMBLY**

**2.0 Scope of delivery / packing unit**

Leave the fan in its box until installation. Check that the fan is in good condition and has not been damaged in transit.



1. Fascia
2. Cover of control board including 2 x fastening screws
3. Electronic control board
4. Casing with impeller
5. Guide vane removable at reduced installation depth
6. Removable back draught shutter
7. Cable grommet
8. Assembly kit  
2 x screws with plugs for wall mounting

**CHAPTER 3**

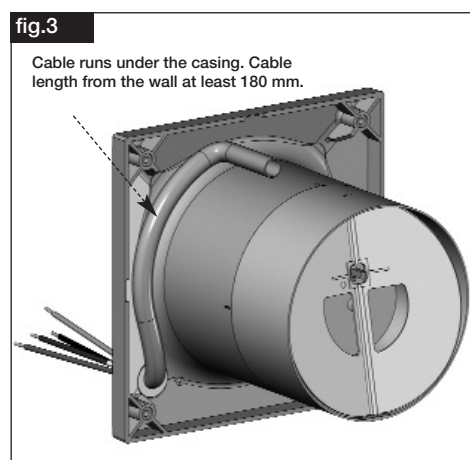
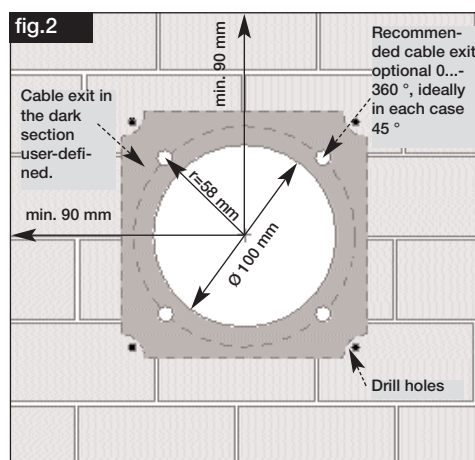
**MOUNTING**

**NOTE**

**3.0 Preparation for wall or ceiling installation (surface mounted)**

The assembly and start-up of the fan unit should be carried out first after finishing all other work and after the final cleaning in order to avoid damage and contamination of the fan unit.

The position of the cable exit is variable (see fig.2/3).



**3.1 Cable exit from the wall**

- Distance to the duct centre depending on cable exit 58 mm with a variable position under the casing.
- For a simple assembly an exit is recommended as shown (turnable by 90° in each case).  
The optimal position is 45° each if the cable exit is directly at the position of the cable grommet.
- Duct inside diameter 100 mm and distance to room corners: at least 90 mm

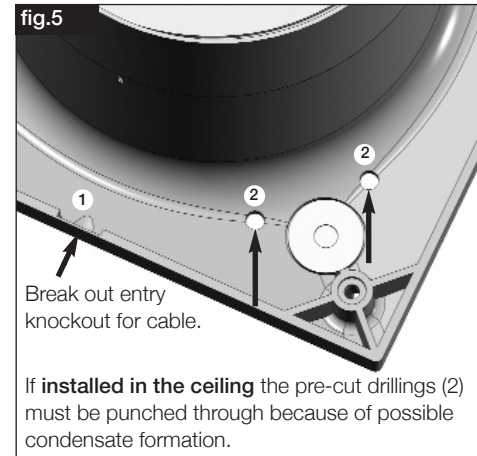
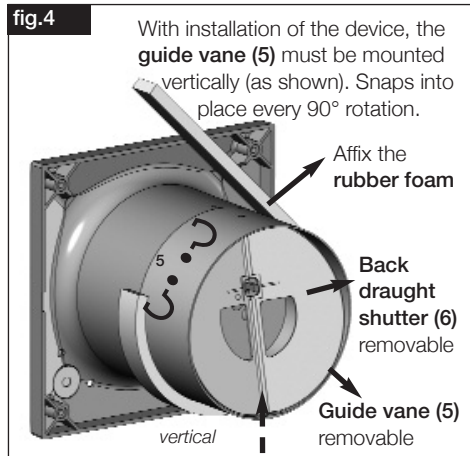
**3.2 Drill holes**

- Set casing against the wall, mark the holes and drill. Fasten with at least 2 screws and plugs. For surface installation the casing is provided with a side entry knockout (Fig.5, Pos.1) for the cable ! The mains supply cable is to be kept in such a way that no ingress of moisture is made possible along the cable.

**NOTE**

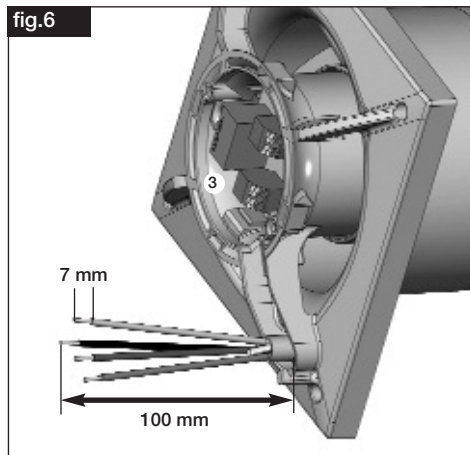
Installation and Operation Instructions

3.3 Wall or ceiling installation

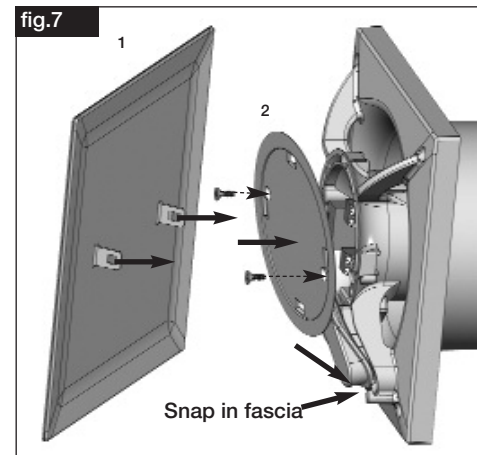


3.4 Cable connections

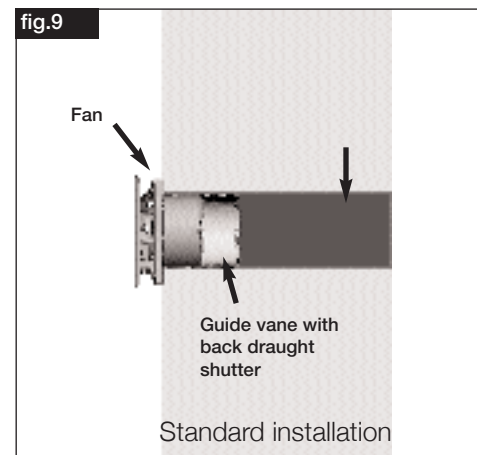
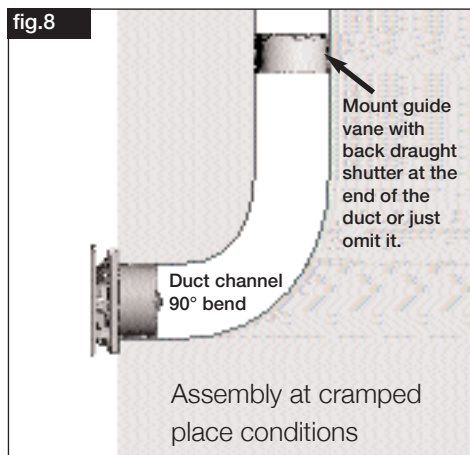
1. Pull cable through grommet, don't cut open!
2. Cut cable at least to length 180 mm and remove cable jacket at least 100 mm in length.
3. Connect fan according to wiring diagram (see page 5).
4. Run cable in the conduit.



- Length of single conductor 100 mm
- Length of stripped insulation 7 mm
- Strip plastic-sheathed cable flush with conduit.



1. Press cover of control board (2) on casing and fasten with screws.
2. Snap in fascia. (1)



**CHAPTER 4****ELECTRICAL  
CONNECTION****WARNING****4.0 Electrical connection**

All work must be carried out with the equipment fully isolated from the power supply. The electrical connection is to be carried out in accordance with the relevant wiring diagram and are only to be done by a certified electrician. The fan may not be operated with transformer controllers.

All relevant safety regulation, national standards and norms are to be adhered to.

**4.1 Electronic control board**

The electronic control board allows the operation with 2 speeds (75/90 m<sup>3</sup>hr). The control board is fitted into a splash-proof casing.

**NOTE****EMV regulation****Important indication for the electromagnetic compatibility**

Interference resistance according to DIN EN 55014-2 depending upon impulse form and energy rate of 1000 V to 4000 V. With operation with fluorescent tubes, switch power supplies, electronically regulated halogen bulbs etc. these values can be exceeded.

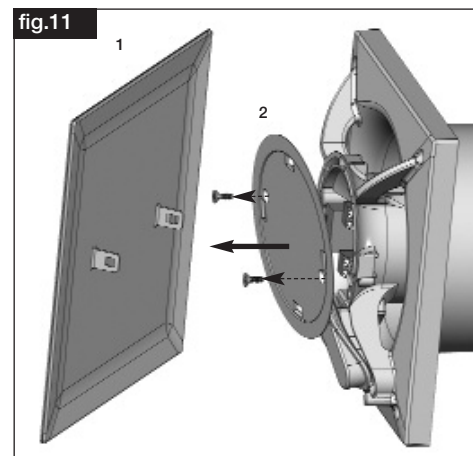
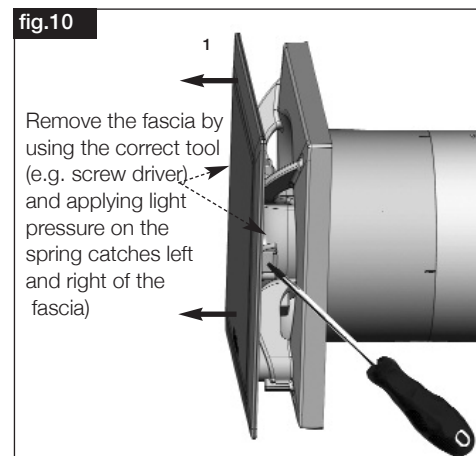
In this case additional suppression shielding activities are necessary (L -, C or RC elements, protection diodes, resistors).

**CHAPTER 5****CLEANING AND  
MAINTENANCE****5.0 Cleaning and maintenance**

- Before cleaning, ensure that the fan is isolated from the power supply.
- Prevent unintentional restart !
- Clean device only with a damp cloth.
- The device is maintenance-free.

**5.1 Dismantling of fascia****Procedure:**

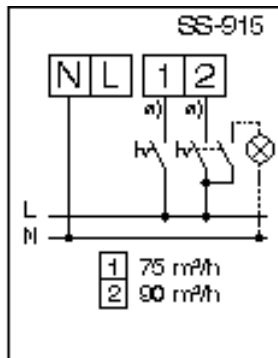
1. Isolate the device from the power supply and prevent unintentional restart!
2. Remove the fascia (1) by using the correct tool (e.g. screw driver) and applying light pressure on the spring catches left and right of the fascia (Fig.10).
3. Unfasten the screws of the control board cover (2) (Fig.11).

**CHAPTER 6****TROUBLESHOOTING****6.0 Troubleshooting**

- If the thermal protection trips this could be the result of dirt build-up, a hard running impeller and/or bearings. Too high winding temperature through insufficient motor cooling, or too high air flow temperature could be the cause of disturbance.
- Abnormal noises can mean worn out bearings.
- Vibrations can originate from an unbalanced or dirty impeller or due to the installation.
- Extreme performance reduction can occur if the fan must work against too high resistance of the ventilation system or if there is a lack of sufficient supply air (causing also higher sound level).

Installation and Operation Instructions

Wiring diagram overview



Footnotes:

a) During parallel connection of the terminal 1-2 an inverse voltage rests respectively against the other not switched terminal. Connect room lighting only via two-pole switch.

Functional description:

The fan, equipped with 2 speeds (75/90 m<sup>3</sup>/h) can be operated with a two speed operation switch

