

QuietAir QT100T



Ultra quiet axial fan with timer

The whisper quiet **QuietAir QT100T** is designed to provide extraction levels that exceed the requirements of the latest building regulations Approved Document F.

QuietAir, is a range of elegant, discreet axial fans that are supremely quiet with Eco start that activates after 2 minutes, only when they are really needed. By using exceptionally low energy they help to reduce carbon emissions but also save on your electricity bill.

Operated by an adjustable timer. Other options available include basic, humidity and motion sensor with timer.

Features

- IP45 rating and Low Energy
- 2 minute delay start option
- Extremely quiet, noise levels as low as 25 dB(A)
- Low SFP of 0.24w/l/s
- Power consumption only 5 watts
- Long life ball-bearing motor with 40,000 hours life
- Two speed options, 75 m3/hr and 90 m3/hr
- Adjustable timer overrun
- Suitable for installation in zone 1 of bathrooms when installed with an RCD
- 3 year warranty

Model: QT100T
Part No: 9041260



The QuietAir range of fans combine contemporary design with ultra low noise levels and outstanding energy efficiency.

It has a high efficiency impeller for ducted installation up to 12m long with up to 10x 90° bends.

It has an integral flow straightener and back draught flap

The two speed fan is selectable on installation. The second speed may be used independently

The QuietAir has a wipe clean clip on cover for ease of cleaning

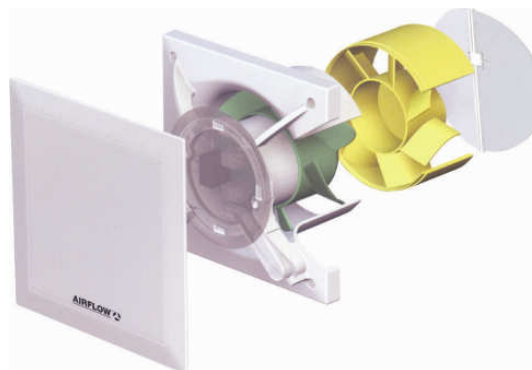
The fan complies with the latest Building Regulations Approved Document F.

A stylish and efficient fan so quiet that you can hear a pin drop...

Application

For use in toilets, en-suites, and bathrooms.

QuietAir QT100T



For more information please visit airflow.com or email us at info@airflow.co.uk or call **01494 560800**

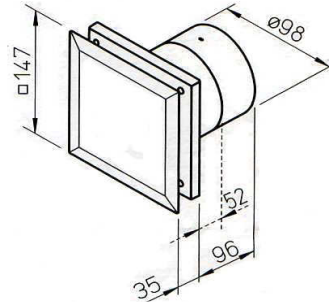
QuietAir QT100T

Why Ventilate?

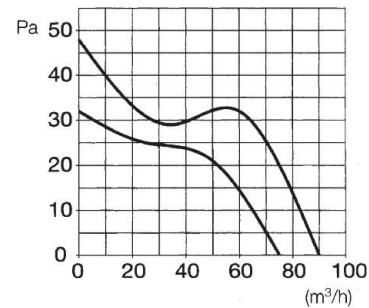
AIRFLOW fans exceed the requirements of the latest building regulations helping to combat the harmful effects of dampness and condensation and by extracting airborne pollutants such as odours, cooking smells, humid and stale air. The potential hazards to health for occupants and possible damage to the fabric of the building can be largely eliminated.



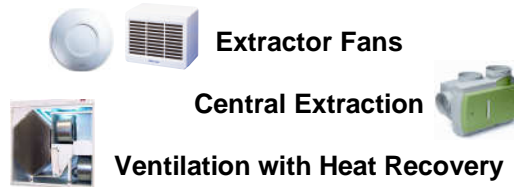
Unit Dimensions (mm)



Model	QT100T	
Airflow	m³/hr	75/90
	L/sec	20.8/25
Airflow @31Pa	m³/hr	60
	L/sec	16.6
High Efficiency impeller	Axial	
Mounting	Wall/Ceiling	
Sound Pressure dB(A) @3m	25/30	
Delay Start (minutes) Optional	2	
Adjustable Timer (minutes)	6,12,15,21	
Adjustable Humidity (%RH)	-	
Power Watts	5/9	
SFP@ 20.8 (w/l/s)	0.24	
Voltage	230/1/50-60Hz	
Rating	IP45	
Max ambient temperature	40	
Interval Timer, auto start (hours)	4, 8, 12, 24	



AIRFLOW VENTILATION SOLUTIONS



For more information please visit airflow.com or email us at info@airflow.co.uk or call **01494 560800**